

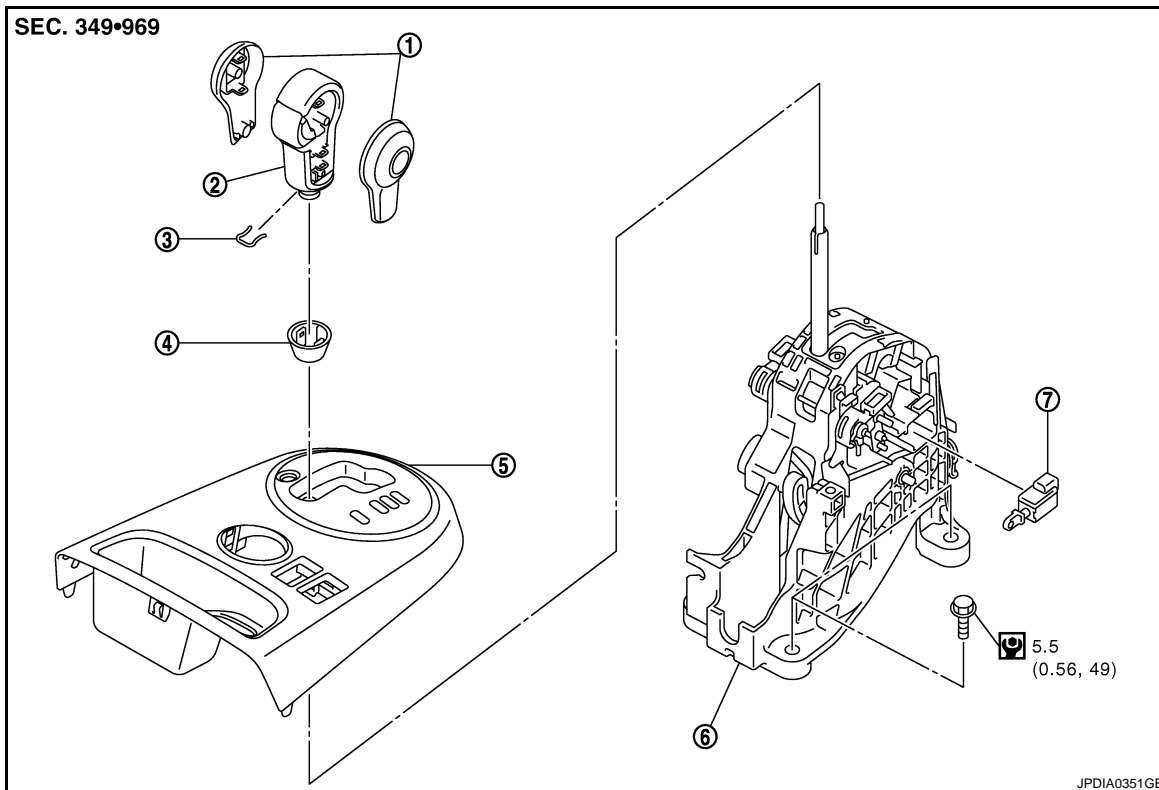
CONTROL DEVICE

< ON-VEHICLE REPAIR >

[CVT: RE0F10A]

MANUAL MODE : Exploded View

INFOID:000000001208916



- | | | |
|------------------------|------------------------|----------------------------|
| 1. Knob fin | 2. Selector lever knob | 3. Lock pin |
| 4. Knob cover | 5. Console finisher | 6. Control device assembly |
| 7. Shift lock solenoid | | |

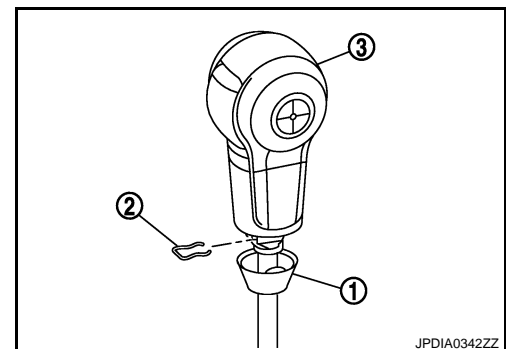
Refer to [GI-4. "Components"](#) for symbols in the figure.

MANUAL MODE : Removal and Installation

INFOID:000000001208917

REMOVAL

1. Disconnect the battery cable from the negative terminal.
2. Move selector lever to "N" position.
3. Slide knob cover (1) below selector lever downward.
CAUTION:
Be careful not to damage the knob cover.
4. Pull lock pin (2) out of selector lever knob (3).
5. Remove selector lever knob and knob cover.



A
B
C
TM
E
F
G
H
I
J
K
L
M
N
O
P