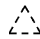
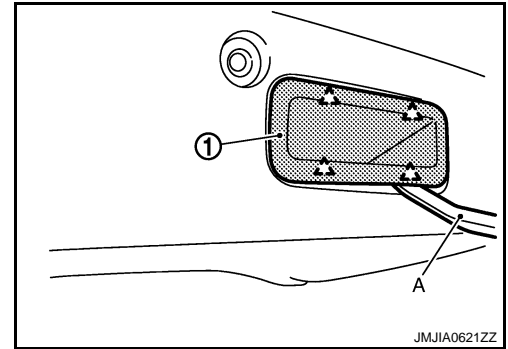


## BACK DOOR TRIM

### < ON-VEHICLE REPAIR >

2. Disengage pull handle (1) fixing pawls with remover tool (A).


 : Pawl

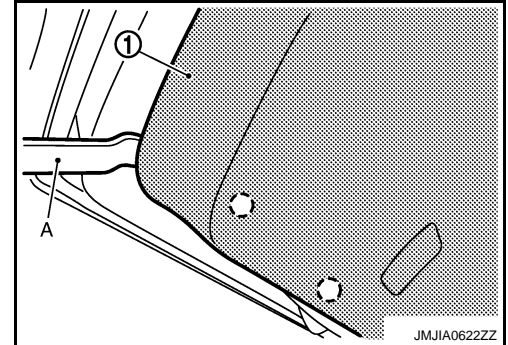


3. Insert remover tool (A) between back door lower finisher inner (1) and back door panel to disengage clips.

**NOTE:**

Starting by the lower downwards and works around the edges and up to the sides.


 : Clip

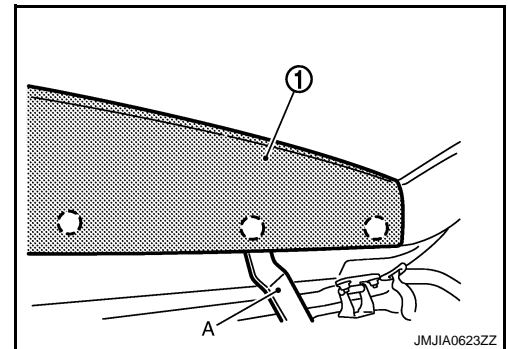


4. Pull out back door lower finisher inner toward vehicle inside, and disconnect luggage room lamp connector.
5. Remove back door lower finisher inner.
6. Remove the following parts after removing back door lower finisher inner.
  - Luggage room lamp assembly. Refer to [INL-80, "BACK DOOR SIDE : Removal and Installation"](#).
  - Back door mask.

### BACK DOOR UPPER FINISHER INNER

1. Fully open back door.
2. Remove back door lower finisher inner.
3. Insert remover tool (A) between back door upper finisher inner (1) and back door panel to disengage clips.

 : Clip



4. Remove back door upper finisher inner.

### BACK DOOR SIDE FINISHER INNER

1. Fully open back door.
2. Remove back door lower finisher inner.
3. Remove back door upper finisher inner.