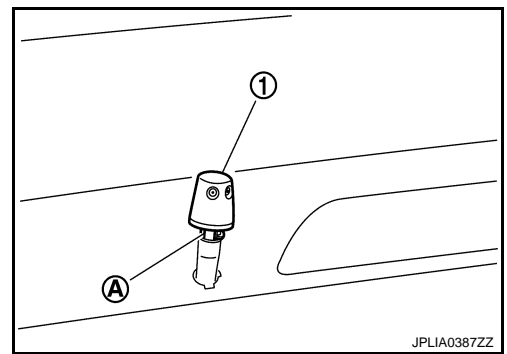


REAR WASHER NOZZLE AND TUBE

< ON-VEHICLE REPAIR >

3. Push pawl (A), and remove the rear washer nozzle (1) from the back door.



INSTALLATION

Install in the reverse order of removal.

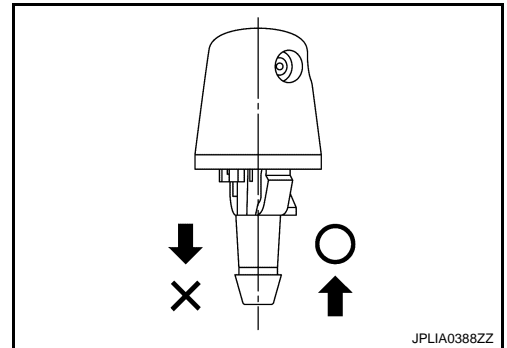
Inspection and Adjustment

INFOID:000000001209012

INSPECTION

Washer Nozzle Inspection

Check that air can pass through the hose by blowing forward (toward the nozzle), and check that air cannot pass through by sucking.



ADJUSTMENT

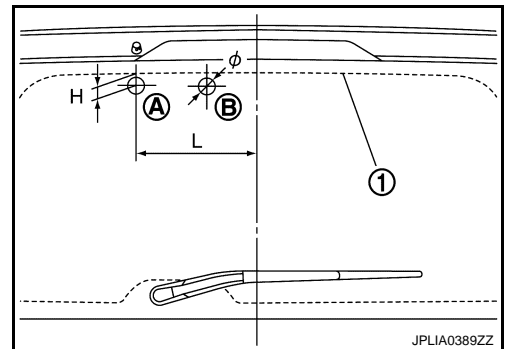
Washer Nozzle Spray Position adjustment

Adjust spray positions to match the positions shown in the figure.

1 : Black printed frame line

Unit: mm (in)

Spray position	H (Height)	L (width)	ϕ (Spray position area)
A	31 (1.22)	215.5 (8.48)	30 (1.18)
B	37 (1.46)	95 (3.74)	30 (1.18)



Insert a needle or similar object (B) into the spray opening (A) and move up/down and left/right to adjust the spray position.

NOTE:

If wax or dust gets into the nozzle, remove wax or dust with a needle or small pin.

